



EnergyWall

U-HRV VERTICAL WITH HOOD - SIDE MOUNTED

U-HRV: DIMENSION DATA

MODEL	U-HRV-600	U-HRV-1200	U-HRV-1800	U-HRV-2400	U-HRV-3000	U-HRV-3600	U-HRV-4200	U-HRV-4800	U-HRV-5400	U-HRV-6000
A- NO HOOD (IN)	12	24.13	36.25	48.38	60.5	72.63	84.75	96.88	109	121.13
A- W/ HOOD (IN)	13.19	25.32	37.44	49.57	61.69	73.82	85.94	98.00	110.13	122.25
A- W/ HOOD & DAMPER	13.19	25.32	37.44	49.57	61.69	73.82	85.94	98.00	110.13	122.25
B- NO HOOD (IN)	68.38	68.38	68.38	68.38	68.38	68.38	68.38	68.38	68.38	68.38
B- W/ HOOD (IN)	83.18	83.18	83.18	83.18	83.18	83.18	83.18	83.18	83.18	83.18
B- W/ HOOD & DAMPER	96.68	96.68	96.68	96.68	96.68	96.68	96.68	96.68	96.68	96.68
C- NO HOOD (IN)	1	1	1	1	1	1	1	1	1	1
C- W/ HOOD (IN)	10.1	10.1	10.1	10.1	10.1	10.1	10.1	10.1	10.1	10.1
C- W/ HOOD & DAMPER	16	16	16	16	16	16	16	16	16	16
D- NO HOOD (IN)	13.13	13.13	13.13	13.13	13.13	13.13	13.13	13.13	13.13	13.13
D- W/ HOOD (IN)	19	19	19	19	19	19	19	19	19	19
D- W/ HOOD & DAMPER	26.6	26.6	26.6	26.6	26.6	26.6	26.6	26.6	26.6	26.6
DUCT DIMENSIONS (IN)	12.13X12.13	24.25X12.13	36.38X12.13	48.5X12.13	60.63X12.13	72.75X12.13	84.88X12.13	97X12.13	109.13X12.13	121.25X12.13

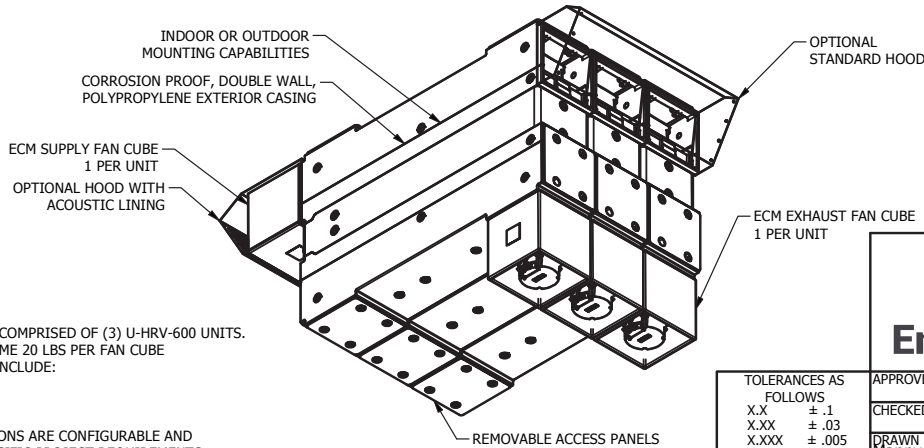
U-HRV: PERFORMANCE DATA

MODEL	U-HRV-600	U-HRV-1200	U-HRV-1800	U-HRV-2400	U-HRV-3000	U-HRV-3600	U-HRV-4200	U-HRV-4800	U-HRV-5400	U-HRV-6000
CFM RANGE	75-700	150-1400	225-2100	300-2800	375-3500	450-4200	525-4900	600-5600	675-6200	750-7000
EXTERNAL STATIC	Up to 2" w.c.	Up to 2" w.c.	Up to 2" w.c.	Up to 2" w.c.	Up to 2" w.c.	Up to 2" w.c.	Up to 2" w.c.	Up to 2" w.c.	Up to 2" w.c.	Up to 2" w.c.
SENSIBLE EFFICIENCY	73	73	73	73	73	73	73	73	73	73
LATENT EFFICIENCY	N/A	N/A	N/A	N/A	N/A	N/A	N/A	N/A	N/A	N/A
TOTAL EFFICIENCY	73	73	73	73	73	73	73	73	73	73
COOLING ENERGY FROM COIL (BTUs/Hr)	18000	36000	54000	72000	90000	N/A	N/A	N/A	N/A	N/A
HEATING ENERGY FROM COIL (BTUs/Hr)	18000	36000	54000	72000	90000	N/A	N/A	N/A	N/A	N/A

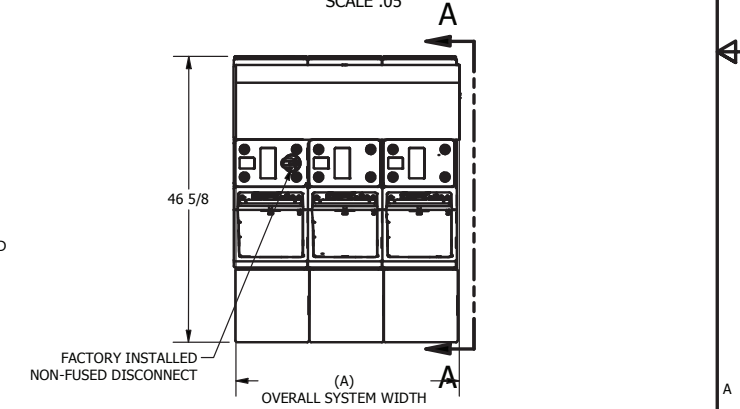
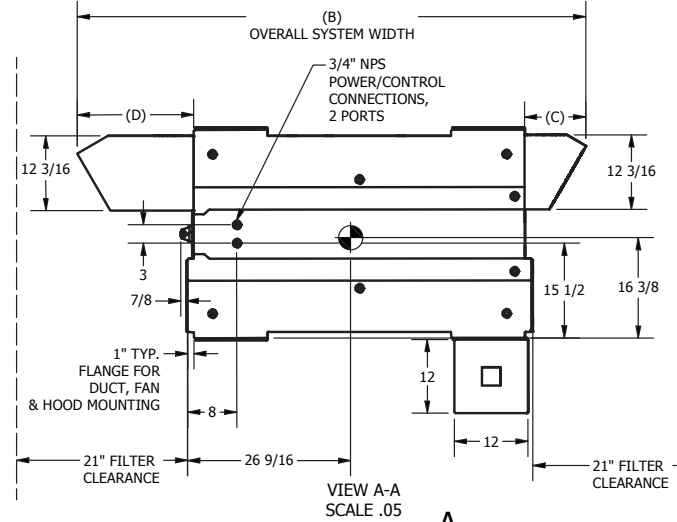
U-HRV: SYSTEM DATA

MODEL	U-HRV-600	U-HRV-1200	U-HRV-1800	U-HRV-2400	U-HRV-3000	U-HRV-3600	U-HRV-4200	U-HRV-4800	U-HRV-5400	U-HRV-6000
FAN QUANTITY	2	4	6	8	10	12	14	16	18	20
VOLTAGE	208-277VAC	208-277VAC	208-277VAC	208-277VAC	208-277VAC	208-277VAC	208-277VAC	208-277VAC	208-277VAC	208-277VAC
PHASE	1	1	3	3	3	3	3	3	3	3
FREQUENCY (HZ)	50/60	50/60	50/60	50/60	50/60	50/60	50/60	50/60	50/60	50/60
MCA (A)	8.3	15.1	13.3	20.2	27	25.2	32.1	38.9	37.1	44
MOP (A)	15	20	15	25	30	30	35	40	40	45
SYSTEM WEIGHT (LBS)*	96	187	278	369	460	551	642	733	824	915
SYSTEM WEIGHT-W/ HOOD (LBS)*	108	210	315	434	550	668	790	915	1043	1175
SYSTEM WEIGHT-W/ HOOD & DAMPER (LBS)*	134	254	374	504	626	748	870	992	1114	1237

*SEE NOTES



- NOTES:
- U-HRV-1800 MODEL SHOWN IN DRAWING, THIS IS COMPRISED OF (3) U-HRV-600 UNITS.
 - FAN CUBE WEIGHT NOT INCLUDED IN TABLE, ASSUME 20 LBS PER FAN CUBE
 - OPTIONAL FEATURES (NOT SHOWN IN DRAWING) INCLUDE:
-ROTARY FACE AND BYPASS DAMPER
-HYDRONIC COIL OR DX COIL
-MERV 11/13 SUPPLY FILTER
 - FAN TYPES, FILTER CLEARANCES, AND FAN LOCATIONS ARE CONFIGURABLE AND LOCATIONS ARE SUBJECT TO CHANGE BASED ON SPECIFIC PROJECT REQUIREMENTS



EnergyWall

PROJECT: SUBMITTAL DRAWING
TITLE: U-HRV VERTICAL ORIENTATION WITH HOOD- SIDE MOUNTED
PART NUMBER: N/A

APPROVED: _____
CHECKED: _____
DRAWN: Manny Esteves 2/8/2021

SIZE: B
SCALE: .05
DWG NO: N/A
REV: 0
SHEET 1 OF 1