

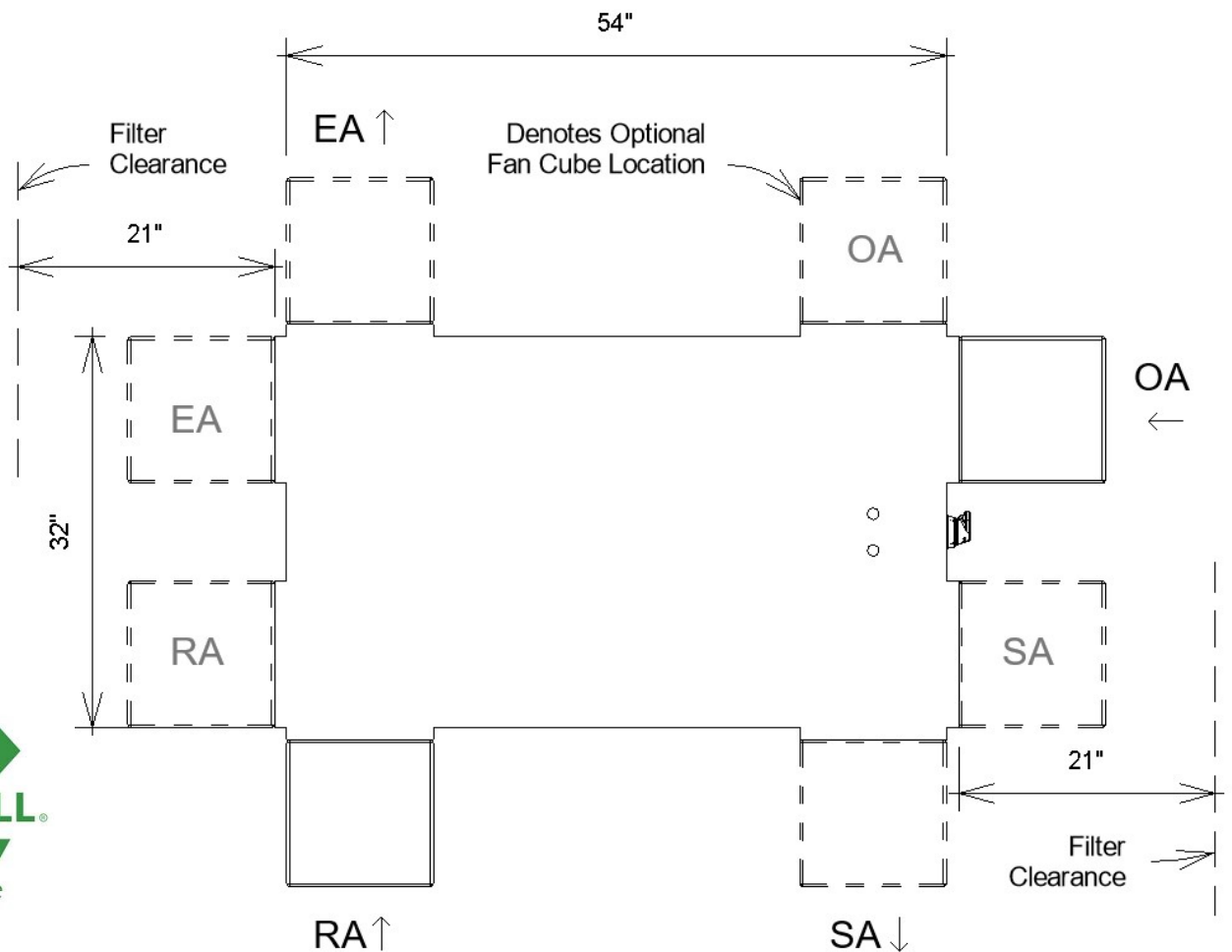
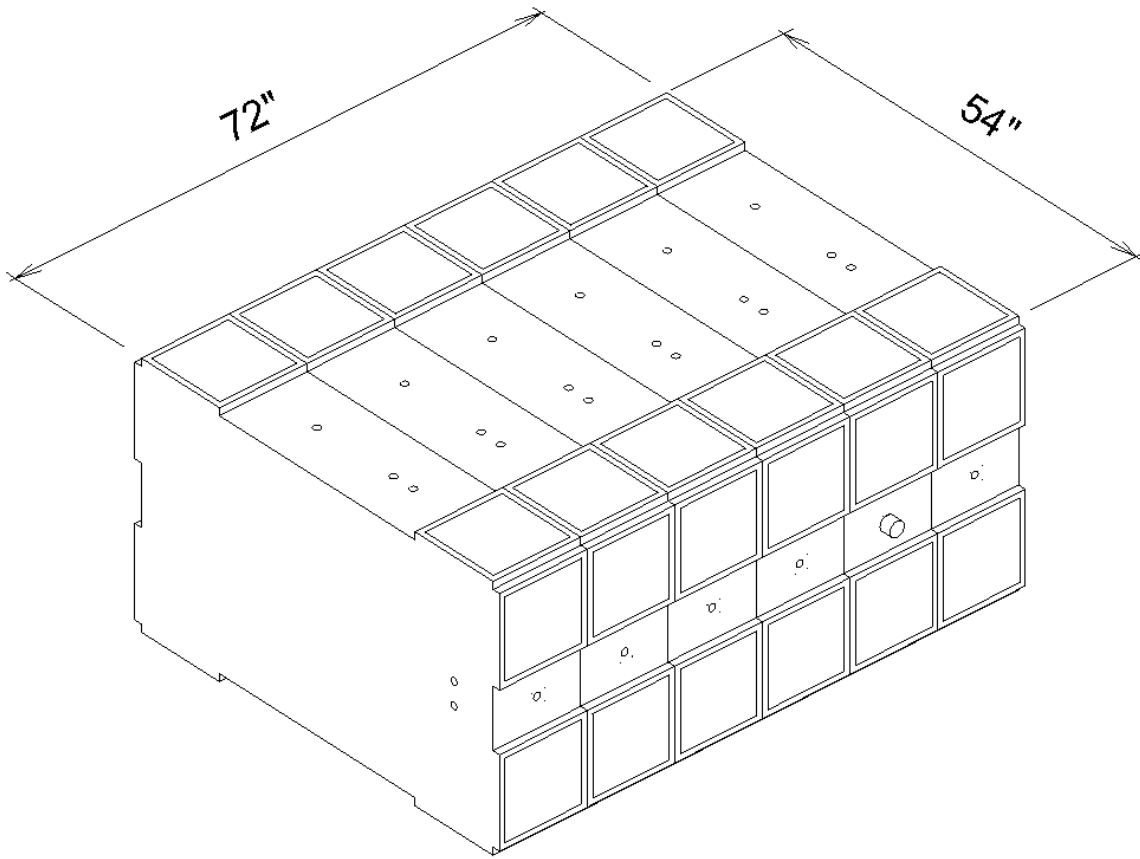
Energy Wall U-ERV 3600 Series

U-ERV 3600 Standard Features		Industry Standard Comparison
Airflow Range:	0 to 4000 CFM [3600 Rated]	Fully Variable ECM+ Remote Fan Modulation
Dimensions:	54" L X 32" D X 12" Height [x5]	2-4X Smaller Size
Ultra Lightweight:	482 lbs [98 lbs per module]	2.5X Lighter (Varies by Options)
AHRI 1060 Tested Core:	EWT-11-42 [x6] HWT-11-42 [x6]	Counterflow plate-type, heat and humidity transfer Counterflow plate-type, heat-only transfer or condensing wrap-around application
Sensible Efficiency:	73% @ 3600 SCFM	Up to 90% Possible
Latent Efficiency:	63% @ 3600 SCFM	Up to 70% Possible
Total Efficiency:	69% @ 3600 SCFM	Up to 80% Possible
Cost:	Lowest Installed	Lower transport, installation, maintenance
Minimal Maintenance:	Filters @ 3-6 months	Total qty. 12, MERV 11 Mini-Pleat: 5.25" x 40.38 x 1.75" (Actual Size)
Stack Multiple Modules:	Vertical or Horizontal	Patented design - a single duct will connect to multiple U-ERVs
Fan Motors:	ECM+ IP68 Rated	Variable Airflow adjustability & balancing with mechanical turn potentiometers Remote Variable Airflow adjustability via dual 0-10 VDC signal
Antimicrobial Membrane:	Salt / Ceramic	Proven highly antimicrobial without the addition of additives
Like a UV Light:	MERV 11 Equivalence	Actively kills bacteria flowing with both airstreams
Non-Fused Disconnect:	Exterior Rated UL98	Lowers Installed Cost - Lockout For Safe Access
Application:	Any Orientation	Universal Compatibility for Bolt-on, Roof-top, Exterior or Interior Installation
Electrical Power:	Universal Input AC or DC	90 to 264 VAC Input (50/60Hz) or 40 to 370 VDC Input
Extreme Exterior Shell:	Carbon Infused Polypropylene	Corrosion Proof, double wall construction

U-ERV 3600 Series Model Numbers										
Model Number	Type	External Static Pressure at 3600 SCFM			90 to 264 VAC Input (50/60 Hz)			40 to 350 VDC Input		
		Supply (in. w.g.)	Exhaust (in. w.g.)	Weight (lbs.)	120 VAC 1Ø(Amps)	230 VAC 3Ø(Amps)	208 VAC 3Ø(Amps)	55.2 VDC (Amps)	255 VDC (Amps)	350 VDC (Amps)
UERV 3600LL	Enthalpy	0.5	0.5			19.0	21.1		27.5	20.0
UERV 3600HH	Enthalpy	2.5	2.5			38.1	42.1		55.0	40.1
UERV 3600LH	Enthalpy	0.5	2.5			38.1	42.1		55.0	40.1
UERV 3600HL	Enthalpy	2.5	0.5			38.1	42.1		55.0	40.1
UHRV 3600LL	Sensible	0.5	0.5			19.0	21.1		27.5	20.0
UHRV 3600HH	Sensible	2.5	2.5			38.1	42.1		55.0	40.1
UHRV 3600LH	Sensible	0.5	2.5			38.1	42.1		55.0	40.1
UHRV 3600HL	Sensible	2.5	0.5			38.1	42.1		55.0	40.1

Note: Minimum 180 VAC and 255 VDC Recommended to Achieve Rated Static Pressure

Energy Wall U-ERV 3600 Series



1002 New Holland Ave
Lancaster PA 17601
www.energywall.com